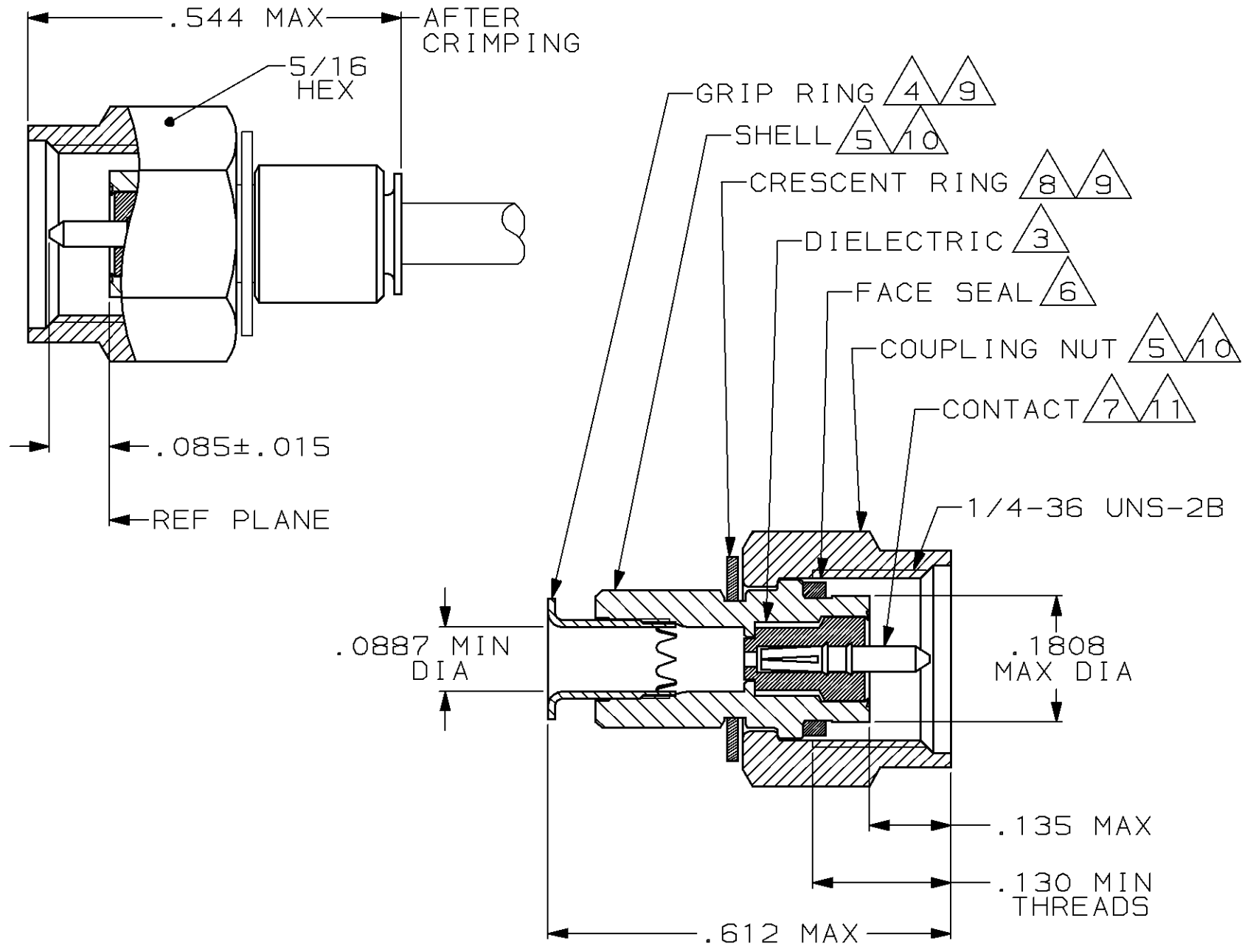
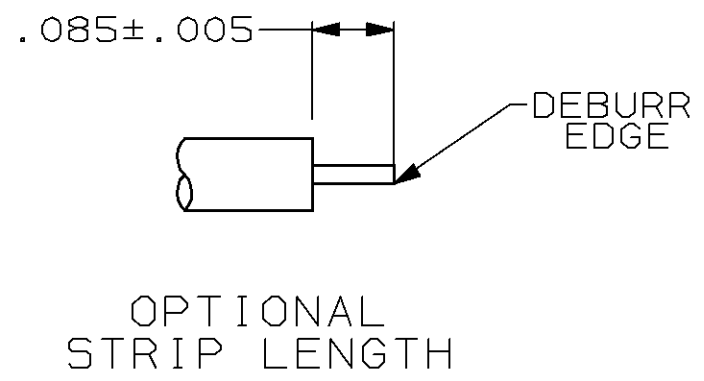
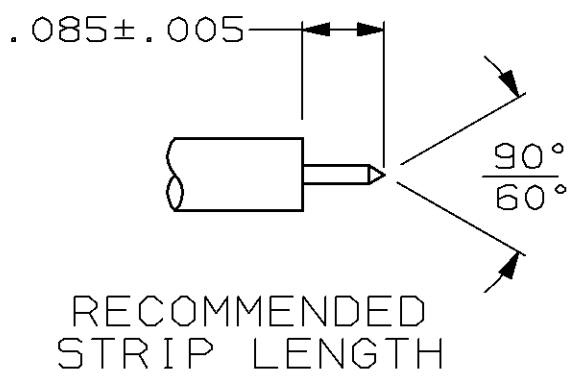


THIS DRAWING IS UNPUBLISHED. RELEASED FOR PUBLICATION \_\_\_\_\_, 19\_\_\_\_.  
 © COPYRIGHT 19\_\_\_\_ BY AMP INCORPORATED, HARRISBURG, PA. ALL INTERNATIONAL RIGHTS RESERVED. AMP PRODUCTS MAY BE COVERED BY U.S. AND FOREIGN PATENTS AND/OR PATENTS PENDING.

LOC	DIST	P	F	ZONE	LTR	DESCRIPTION	DATE	APPROVED
AJ	16				D	REV PER 0G30-0431-98	280CT98	MO



1. FOR USE WITH: RG-405/U, .086 SEMI-RIGID CABLE
2. SEE I.S. 6788
3. PTFE PER ASTM D1710
4. BRASS PER ASTM-B-36
5. STAINLESS STEEL PER ASTM-A-582
6. SILICONE RUBBER PER ZZ-R-765
7. BERYLLIUM COPPER PER ASTM-B-197
8. BERYLLIUM COPPER, ALLOY #25
9. NICKEL PL PER QQ-N-290
10. PASSIVATION PER ASTM A967
11. GOLD PL PER MIL-G-45204
12. 00779 M39012/79-3307
13. .500 MIN LENGTH OF STRAIGHT CABLE REQUIRED TO APPLY THE CONNECTOR



UNLESS OTHERWISE SPECIFIED DIMENSIONS ARE IN INCHES TOLERANCES ON:		DR M. SNEED 3-17-87	AMP INCORPORATED Harrisburg, Pa. 17105
2 PL DEC ± _____	CHK D. HEIDE 3-17-87	NAME	
3 PL DEC ± _____	APPD M. WALMSLEY 3-17-87	PLUG, MIL-F, SERIES SMA	SIZE <b>B</b>
ANGLES ± _____	MATERIAL 3 THRU 8	PRODUCT SPEC 108-12055	FSCM NO 00779
FINISH 9 THRU 11	APPD M. SNEED 3-17-87	APPLICATION SPEC	DRAWING NO 228639-1
	WEIGHT _____	SCALE 5:1	SHEET 1 OF 1

228639-1

PART NO